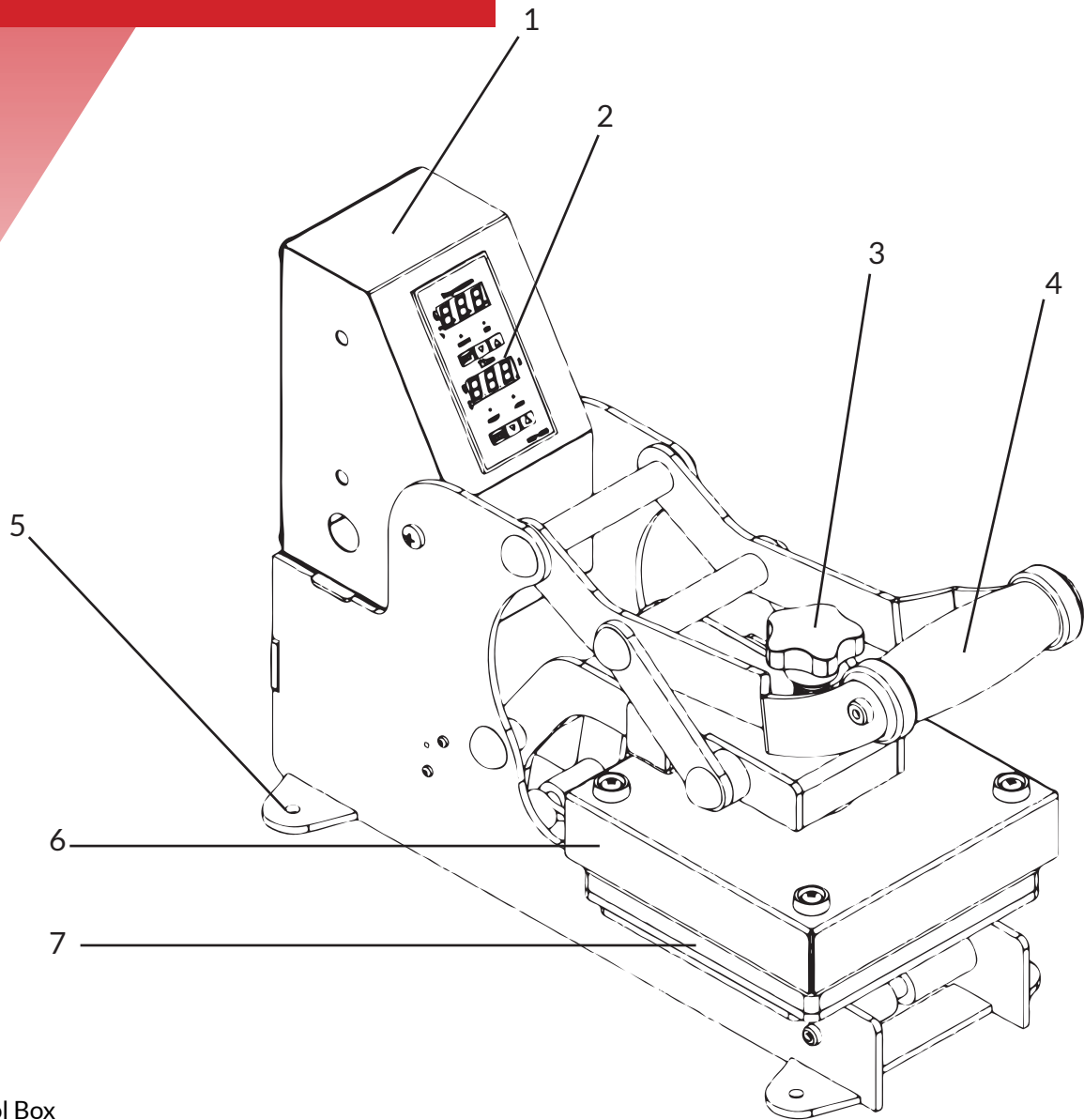




**Contents:**

|                             |           |
|-----------------------------|-----------|
| 1. Assembly Drawing         | Page 2    |
| 2. Technical Specifications | Page 3    |
| 3. Operating Process        | Page 4 -6 |

# 1 - Assembly Drawing



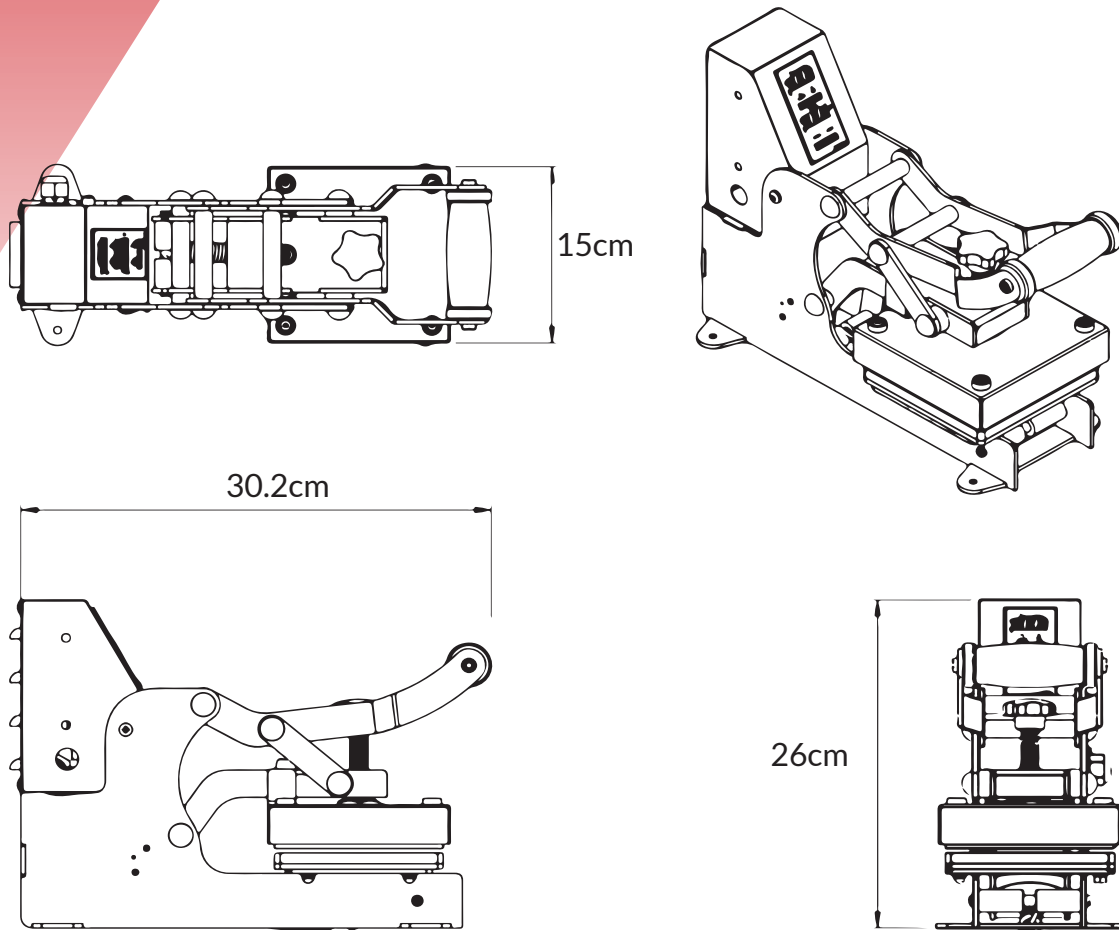
1. Control Box
2. Control Panel
3. Pressure Adjustment Knob
4. Operating Handle
5. Stabilising Feet
6. Heat Platen (15cm x 15cm)
7. Lower Platen (Unheated)



## ATTENTION!

When the press is removed from the box the Stabilising feet (5) may be disassembled for shipping. Please screw the feet into the threaded holes on the legs of the press before operating the press.

## 2 - Technical Specifications



### Technical Specification

|                                 |                                   |
|---------------------------------|-----------------------------------|
| Power consumption               | 0.8/1 kW                          |
| Voltage                         | 230 V                             |
| Heat platen size                | 15 cm x 15 cm                     |
| Printable articles maximum size | 15 cm x 15 cm (up to 15 mm thick) |
| Time settings                   | 0 - 999 sec                       |
| Maximum temperature             | 225°C                             |

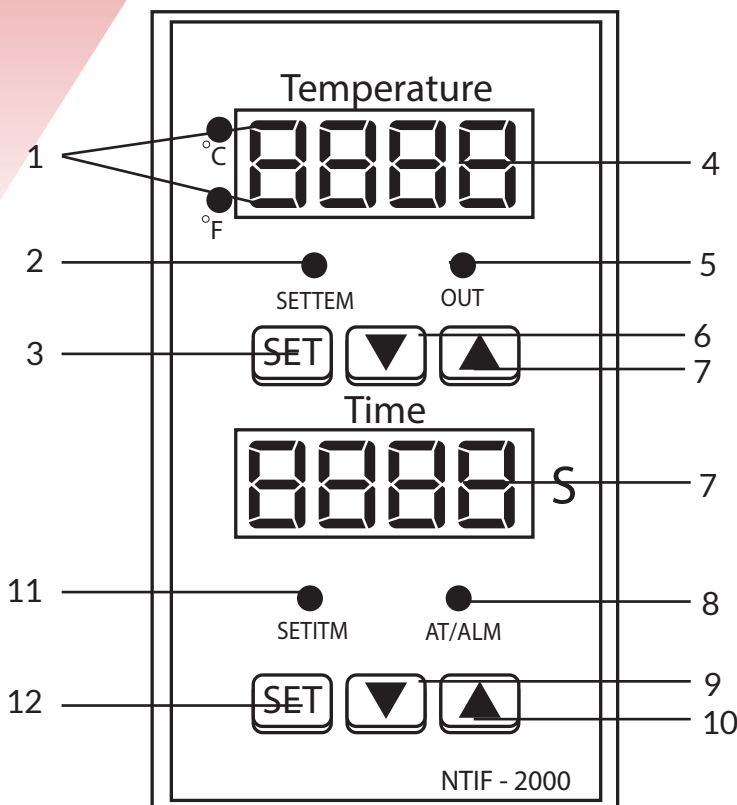
### Dimensions

|                                  |                                     |
|----------------------------------|-------------------------------------|
| Machine dimensions               | 26 cm (w) x 15 cm (d) x 30.2 cm (h) |
| Machine dimensions export packed | 46 cm (w) x 46 cm (d) x 31 cm (h)   |
| Gross Weight                     | 17.3 Kg                             |

## 3 - Operating Instructions

### 3.1 Introduction to the Control Panel

Below is a diagram of the control panel of your heat press; from here, you will control all the functions of your press.



1. Temperature Option Selection
2. SETTEM LED (*illuminated when the temperature is being set Temperature SET Button*)
3. Temperature SET Button
4. Temperature Display
5. OUT LED (*illuminated when the heat element is on*)
6. Temperature DOWN Button
7. Temperature OUT Button
8. AT/ALM LED (*illuminated when the press is in operation and the timer is counting*)
9. Time DOWN Button
10. Time UP Button
11. SETTEM LED (*illuminated when the time is being set*)
12. Time SET Button

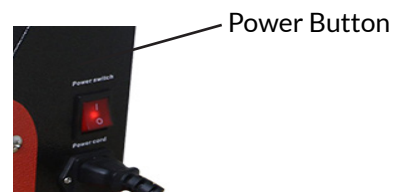
### 3.2 Power ON the Heat Press

1. Connect your heat press to mains power using the power cable provided.
2. The press can now be turned on using the main power button located on the side of the press.



#### INFORMATION!

When the press is powered on, the power switch on the side of the machine will be illuminated, and the control panel will power on. The heating element will begin to heat up immediately.



## 3- Operating Instructions

### 3.3 Setting the Pressing Parameters

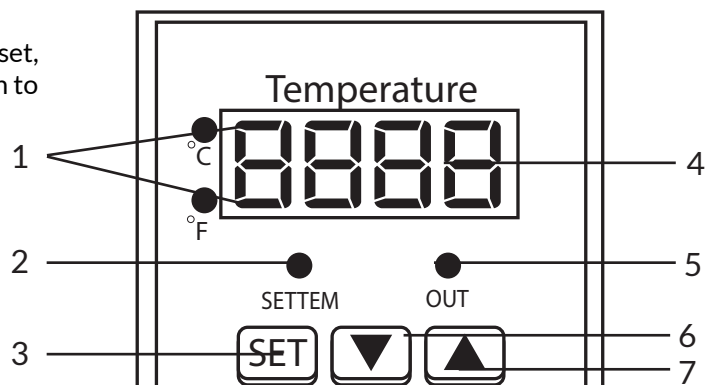
1. To set the power, press the Temperature SET Button. (3) the SETTEM LCD will light up.
2. You can then use the Temperature UP (7) and Temperature DOWN (6) arrows to set the desired Temperature.

3. Once the desired temperature has been set, press the Temperature SET button (3) again to confirm the setting.



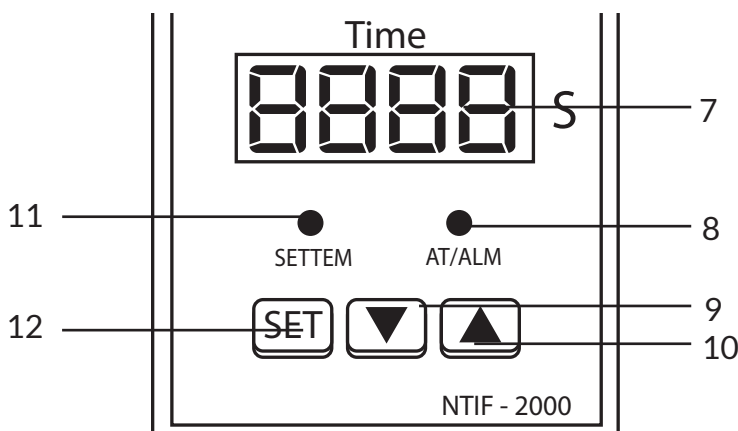
#### INFORMATION!

Once the temperature has been set, the heat platen will climb to the desired temperature. This may take a few minutes as the element heats up. An alarm will sound once the desired temperature is reached. To stop the alarm, close and then open the press.



### 3.3 Setting the Pressing Time

1. Press the Temperature SET Button (12) to set the power, and the SETTEM LCD will light up.
2. You can then use the Temperature UP (10) and Temperature DOWN (9) arrows to set the desired Temperature.



3. Once the desired temperature has been set, press the Time SET button (12) again to confirm the setting.



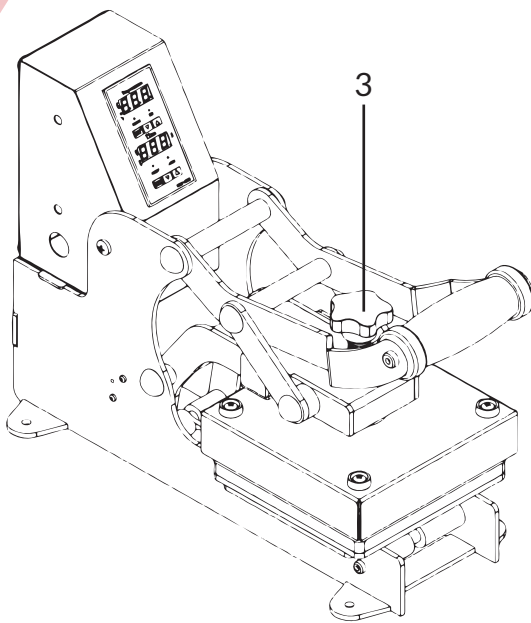
#### INFORMATION!

Once set, the timer will begin to count down when the heat press is closed. An alarm will sound when the press cycle is complete indicating when to open the press again.

## 3 - Operating Instructions

### 3.4 Setting the Pressure

You must change the force that the press applies to suit the substrate being used. Follow the steps below to adjust the pressure.



1. Before adjusting the pressure knob (3) ensure that the press is in the open position.

2. With the press open turn the pressure knob (3) to adjust the pressure, clockwise increases the pressure and counter-clockwise will lower the pressure.



Clockwise will increase the pressure



Anti-Clockwise will decrease the pressure

If you have any further questions about the operation of your heat press please do not hesitate to contact our Tech Support Team using the details below



+44 (0) 01228 712128



techsupport@primaheatpresses.com

